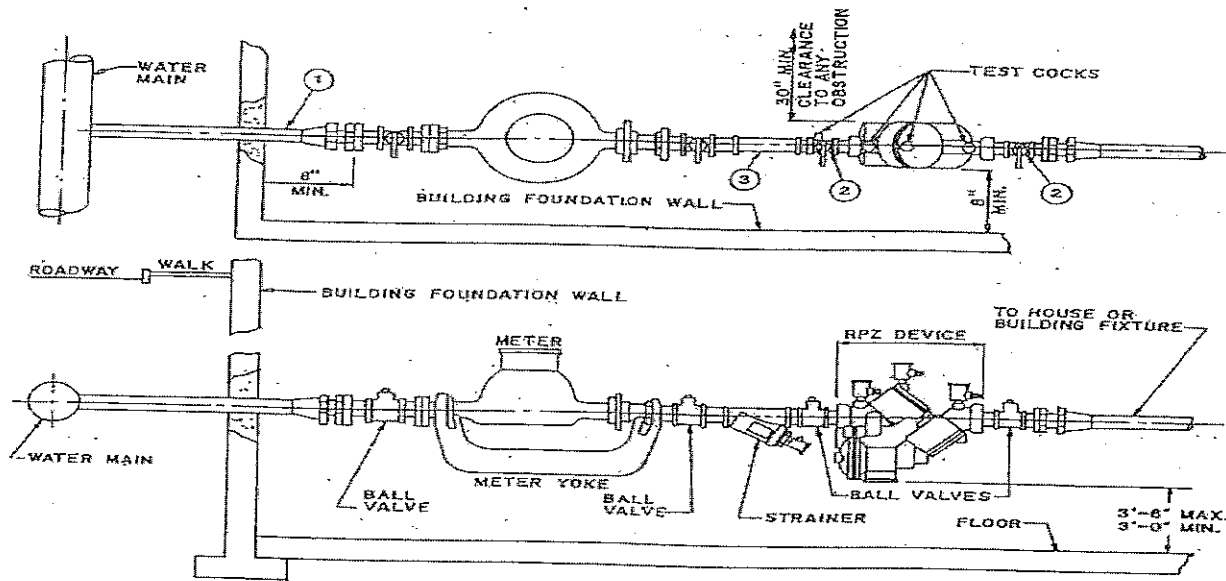


General Notes

1. It is a violation to bypass a recognized backflow prevention device.
2. Device shall be protected against flooding or freezing.
3. Test cocks shall not face the wall and be accessible to the tester.
4. Installation of a Reduced Pressure Zone (RPZ) Assembly shall be as shown.
5. Thermal expansion tank shall be installed on the cold water supply line to the hot water heater.
6. Installation to meet all NCDOH and NYSDOH requirements.
7. Piping to be unbranched and unrestricted from main to device except for the meter.
8. All valves to open counter-clockwise (right handed valves).
9. All installations are to conform to Town of Hempstead (TOH) Department of Water rules and regulations, Plumbing codes and NYSDOH requirements.
10. Layout shown is approximate adjustments can be made to fit field conditions and job requirements upon the Water Districts approval. Minimum clearances must be maintained; order of parts must be maintained.
11. A NYS Health Department Approved Certified Tester shall test all DCV assemblies annually.
12. Test reports must be submitted to both the TOH Department of Water and NC Department of Health
13. Installer to notify TOH Department of Water upon completion of work.

DWG.NO 1-87

ALL MATERIAL SPECS MUST BE LABELED <0.25% PB or "LF" FOR LEAD FREE



**ALL NEW ACCOUNTS REQUIRE
A 1" MINIMUM BACKFLOW DEVICE**

**TYPICAL INSTALLATION FOR A HORIZONTAL
3/4"-1" REDUCED PRESSURE ZONE DEVICE (RPZ) AND WATER METER
RPZ DEVICES ARE LOCATED WITHIN THE DEWELLING OR A HOT BOX**

TOWN OF HEMPSTEAD DEPT. OF WATER
NASSAU COUNTY NEW YORK

General Notes Cont.

14. A licensed plumbing contractor shall preform the installation.
15. No lead solder shall be used for the installation.
16. The TOH Department of Water shall have unrestricted access to the meter and the backflow preventor within the building.
17. All backflow preventors shall be listed in the Public Water Supply Environmental Health records for the State of New York.
18. All appurtenances to be furnished and installed must meet the specified standards and the approval of the TOH Department of Water.

**Supplied and Installed by
Customer**

1. Copper piping. Type "K" copper piping shall be made with wrought or forged copper fittings
2. Ball Valves. Valves shall be one-quarter turn ball valves conforming to AKKA Standard C-800 latest edition (ASTN B-62) as manufactured by Ford, Hayes, McDonald, Muller and Watts.
3. Strainer. A "Y" strainer shall be bronze body with stainless steel removable screen.
4. A Backflow preventor device shall be adequately supported to maintain the specified clearance.
5. Meter Yoke Bar. 1" Iron yoke bar With NO LEAD EC-4



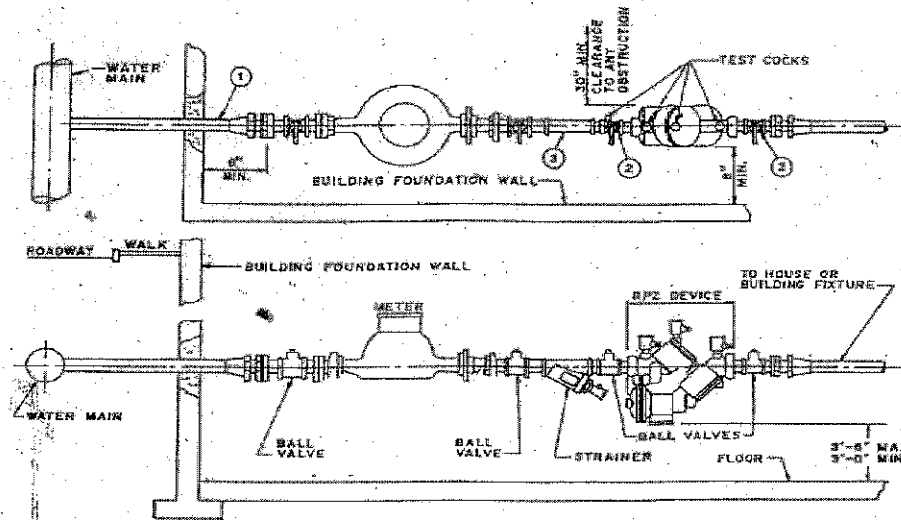
**DVRKA & BARTILUCCI
CONSULTING ENGINEERS**
UNAUTHORIZED ALTERATION OR ADDITION
TO THIS DOCUMENT IS A VIOLATION OF

General Notes

1. It is a violation to bypass a recognized backflow prevention device.
2. Device shall be protected against flooding or freezing
3. Test cocks shall not face the wall and be accessible to the tester.
4. Installation of a Reduced Pressure Zone (RPZ) Assembly shall be as shown.
5. Thermal expansion tank shall be installed on the cold water supply line to the hot water heater.
6. Installation to meet all NCDOH and NYSDOH requirements.
7. Piping to be unbranched and unrestricted from main to device except for the meter.
8. All valves to open counter-clockwise (right handed valves).
9. All installations are to conform to Town of Hempstead (TOH) Department of Water rules and regulations, Plumbing codes and NYSDOH requirements.
10. Layout shown is approximate adjustments can be made to fit field conditions and job requirements upon the Water Districts approval. Minimum clearances must be maintained; order of parts must be maintained.
11. A NYS Health Department Approved Certified Tester shall test all RPZ assemblies annually.
12. Test reports must be submitted to both the TOH Department of Water and NC Department of Health
13. Installer to notify TOH Department of Water upon completion of work.

DWG.NO 1-87A

ALL MATERIAL SPECS MUST BE LABELED <0.25% PB or "LF" FOR LEAD FREE



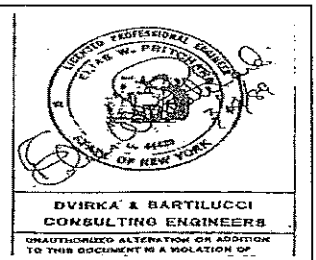
**TYPICAL INSTALLATION FOR A HORIZONTAL
1 1/2" to 2" REDUCED PRESSURE ZONE DEVICE (RPZ)
RPZ DEVICES ARE LOCATED WITHIN THE DEWELLING OR A HOT BOX
TOWN OF HEMPSTEAD DEPT. OF WATER
NASSAU COUNTY NEW YORK**

General Notes Cont.

14. A licensed plumbing contractor shall preform the installation.
15. No lead solder shall be used for the installation.
16. The TOH Department of Water shall have unrestricted access to the meter and the backflow preventor within the building.
17. All backflow preventors shall be listed in the Public Water Supply Environmental Health records for the State of New York.
18. All appurtenances to be furnished and installed must meet the specified standards and the approval of the TOH Department of Water.

**Supplied and Installed by
Customer**

1. Copper piping Type "K" copper piping shall be made with wrought or forged copper fittings
2. Ball Valves Valves shall be one-quarter turn ball valves conforming to AKKA Standard C-800 latest edition (ASTN B-62) as manufactured by Ford, Hayes, McDonald, Muller and Watts.
3. Strainer A "Y" strainer shall be bronze body with stainless steel removable screen.
4. A Backflow preventor device shall be adequately supported to maintain the specified clearance.

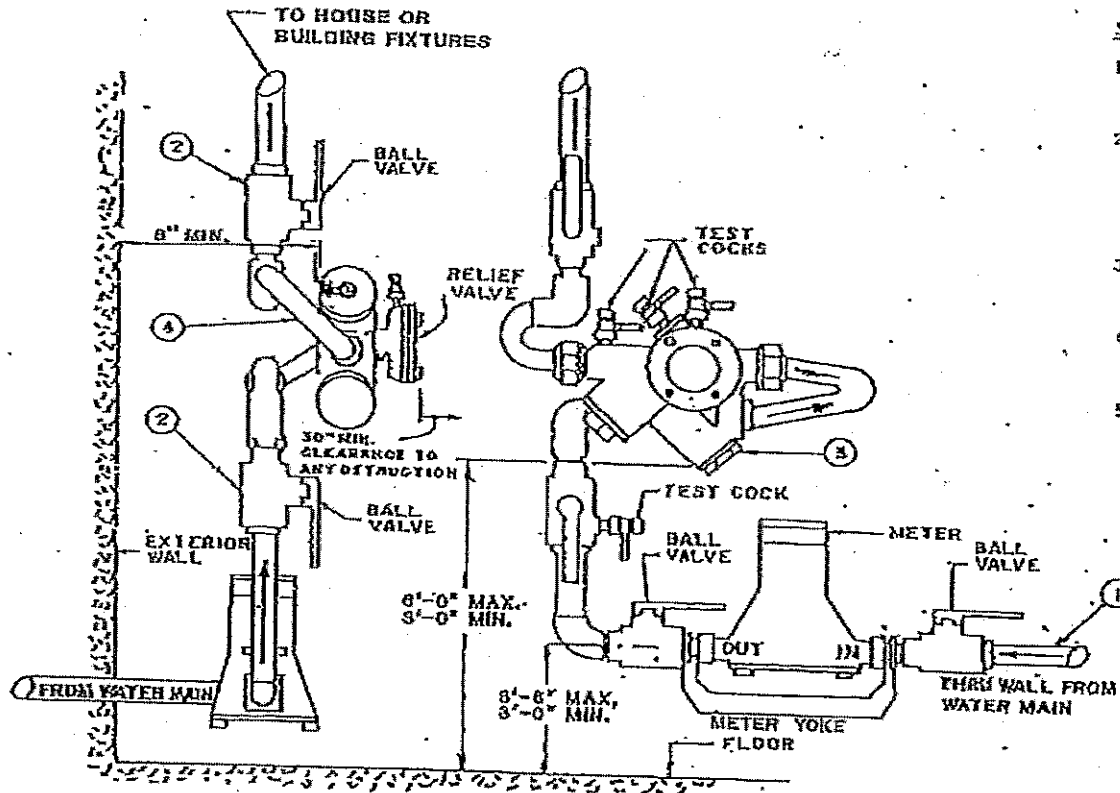


General Notes

1. It is a violation to bypass a recognized backflow prevention device.
2. Device shall be protected against flooding or freezing.
3. Test cocks shall not face the wall and be accessible to the tester.
4. Installation of a Reduced Pressure Zone (RPZ) Assembly shall be as shown.
5. Thermal expansion tank shall be installed on the cold water supply line to the hot water heater.
6. Installation to meet all NCDOH and NYSDOH requirements.
7. Piping to be unbranched and unrestricted from main to device except for the meter.
8. All valves to open counter-clockwise (right handed valves).
9. All installations are to conform to Town of Hempstead (TOH) Department of Water rules and regulations, Plumbing codes and NYSDOH requirements.
10. Layout shown is approximate adjustments can be made to fit field conditions and job requirements upon the Water Districts approval. Minimum clearances must be maintained; order of parts must be maintained.
11. A NYS Health Department Approved Certified Tester shall test all RPZ assemblies annually.
12. Test reports must be submitted to both the TOH Department of Water and NC Department of Health
13. Installer to notify TOH Department of Water upon completion of work.

DWG.NO 2-87

ALL MATERIAL SPECS MUST BE LABELED <0.25% PB or "LF" FOR LEAD FREE



SUPP
 1. J
 2. E
 3. S
 4. E
 5. T

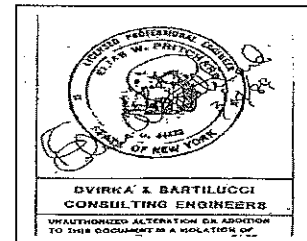
TYPICAL EASY SETTER INSTALLATION FOR A VERTICAL SERVICE
3/4"-2" REDUCE PRESSURE ZONE DEVICE
LOCATED WITHIN THE DEWELLING
 TOWN OF HEMPSTEAD DEPT. OF WATER
 NASSAU COUNTY NEW YORK

General Notes Cont.

14. A licensed plumbing contractor shall perform the installation.
15. No lead solder shall be used for the installation.
16. The TOH Department of Water shall have unrestricted access to the meter and the backflow preventor within the building.
17. All backflow preventors shall be listed in the Public Water Supply Environmental Health records for the State of New York.
18. All appurtenances to be furnished and installed must meet the specified standards and the approval of the TOH Department of Water.

Supplied and Installed by Customer

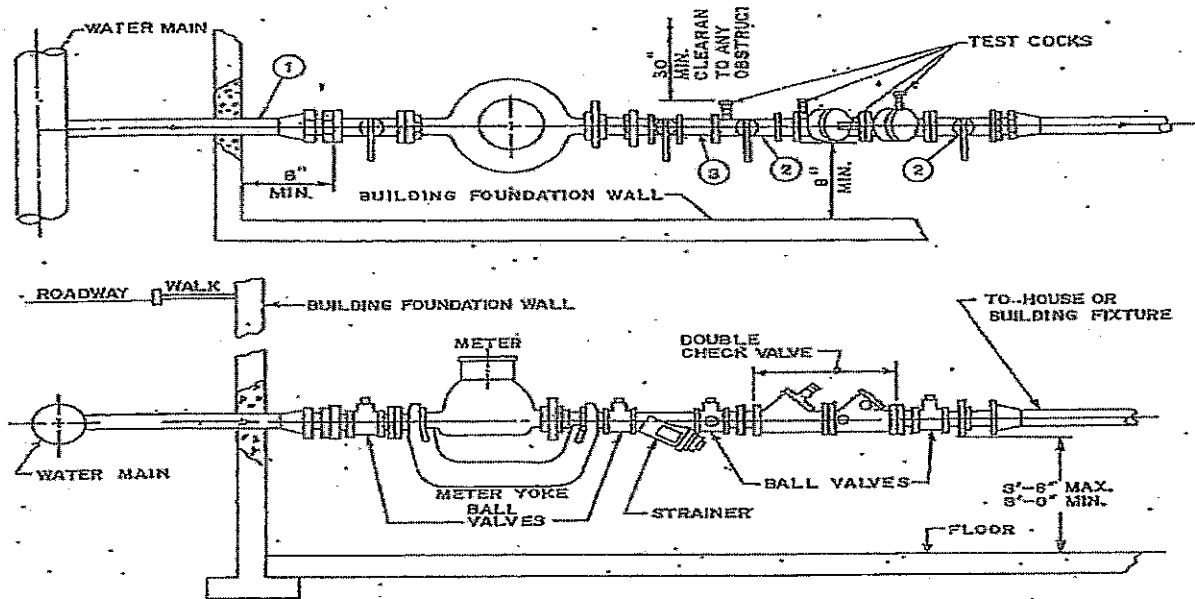
1. **Copper piping** Type "K" copper piping shall be made with wrought or forged copper fittings
2. **Ball Valves** Valves shall be one-quarter turn ball valves conforming to AKKA Standard C-800 latest edition (ASTN B-62) as manufactured by Ford, Hayes, McDonald, Muller and Watts.
3. **Strainer** A "Y" strainer shall be bronze body with stainless steel removable screen.
4. **Easy Setter**- Easy Setter shall be constructed of Type "K" copper piping
5. A Backflow preventor device shall be adequately supported to maintain the specified clearance.
6. Meter yoke assembly requires a NO LEAD compression fitting (EC-4) for the meter



General Notes

1. It is a violation to bypass a recognized backflow prevention device.
2. Device shall be protected against flooding or freezing.
3. Test cocks shall not face the wall and be accessible to the tester.
4. Installation of a Double Check Valve (DCV) Assembly shall be as shown.
5. Thermal expansion tank shall be installed on the cold water supply line to the hot water heater.
6. Installation to meet all NCDOH and NYSDOH requirements.
7. Piping to be unbranched and unrestricted from main to device except for the meter.
8. All valves to open counter-clockwise (right handed valves).
9. All installations are to conform to Town of Hempstead (TOH) Department of Water rules and regulations, Plumbing codes and NYSDOH requirements.
10. Layout shown is approximate adjustments can be made to fit field conditions and job requirements upon the Water Districts approval. Minimum clearances must be maintained: order of parts must be maintained.
11. A NYS Health Department Approved Certified Tester shall test all DCV assemblies annually.
12. Test reports must be submitted to both the TOH Department of Water and NC Department of Health.
13. Installer to notify TOH Department of Water upon completion of work.

ALL MATERIAL SPECS MUST BE LABELED <0.25% PB or "LF" FOR LEAD FREE



- General Notes Cont.**
14. A licensed plumbing contractor shall perform the installation.
 15. No lead solder shall be used for the installation.
 16. The TOH Department of Water shall have unrestricted access to the meter and the backflow preventer within the building.
 17. All backflow preventors shall be listed in the Public Water Supply Environmental Health records for the State of New York.
 18. All appurtenances to be furnished and installed must meet the specified standards and the approval of the TOH Department of Water.

- Supplied and Installed by Customer**
1. Copper piping Type "K" copper piping shall be made with wrought or forged copper fittings.
 2. Ball Valves Valves shall be one-quarter turn ball valves conforming to AKKA Standard C-800 latest edition (ASTN B-62) as manufactured by Ford, Hayes, McDonald, Muller and Watts.
 3. Strainer A "Y" strainer shall be bronze body with stainless steel removable screen.
 4. A Backflow preventor device shall be adequately supported to maintain the specified clearance.
 5. Meter Yoke Bar 1" Iron yoke bar with a 1" EC-4 compression fitting.

DWG.NO 3-87

ALL NEW ACCOUNTS REQUIRE A 1" MINIMUM BACKFLOW DEVICE

TYPICAL INSTALLATION FOR A HORIZONTAL 3/4"-1" DOUBLE CHECK VALVE (DCV) DEVICE AND WATER METER DCV DEVICES ARE LOCATED WITHIN THE DEWELLING OR A HOT BOX

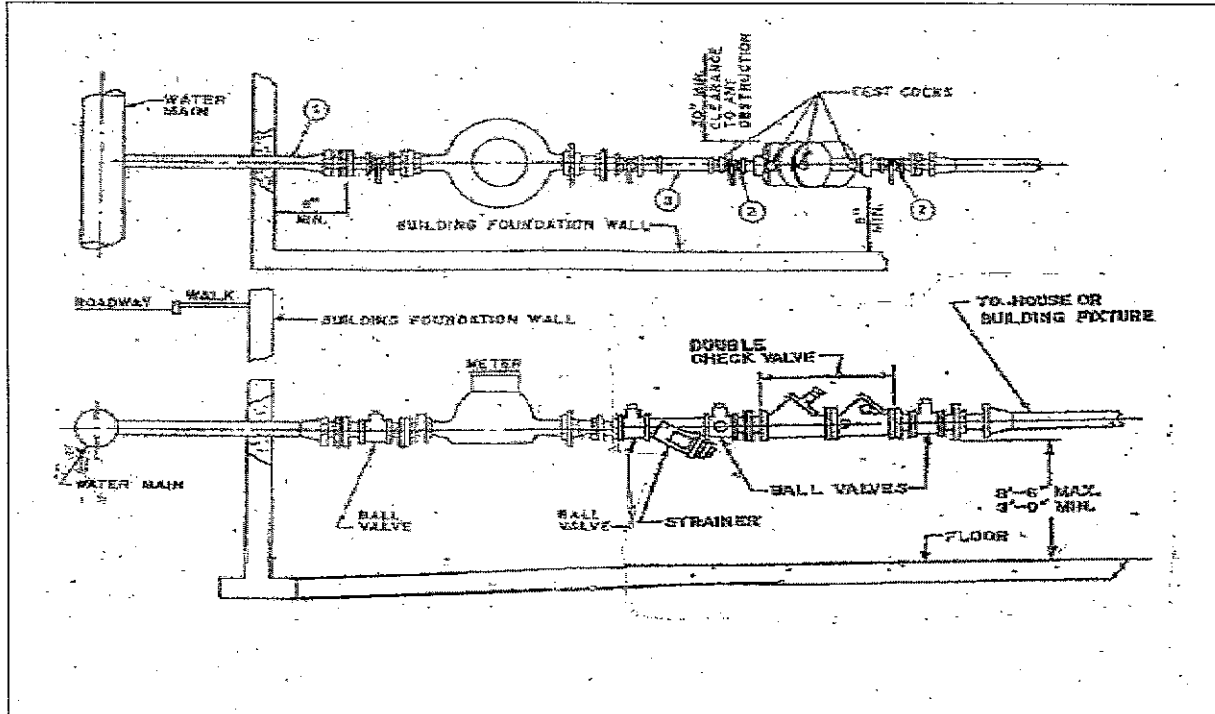
TOWN OF HEMPSTEAD DEPT. OF WATER
NASSAU COUNTY, NEW YORK



General Notes

1. It is a violation to bypass a recognized backflow prevention device.
2. Device shall be protected against flooding or freezing
3. Test cocks shall not face the wall and be accessible to the tester.
4. Installation of a Double Check Valve (DCV) Assembly shall be as shown.
5. Thermal expansion tank shall be installed on the cold water supply line to the hot water heater.
6. Installation to meet all NCDOH and NYSDOH requirements.
7. Piping to be unbranched and unrestricted from main to device except for the meter.
8. All valves to open counter-clockwise (right handed valves).
9. All installations are to conform to Town of Hempstead (TOH) Department of Water rules and regulations, Plumbing codes and NYSDOH requirements.
10. Layout shown is approximate adjustments can be made to fit field conditions and job requirements upon the Water Districts approval. Minimum clearances must be maintained; order of parts must be maintained.
11. A NYS Health Department Approved Certified Tester shall test all DCV assemblies annually.
12. Test reports must be submitted to both the TOH Department of Water and NC Department of Health
13. Installer to notify TOH Department of Water upon completion of work.

ALL MATERIAL SPECS MUST BE LABELED <0.25% PB or "LF" FOR LEAD FREE



General Notes Cont.

14. A licensed plumbing contractor shall preform the installation.
15. No lead solder shall be used for the installation.
16. The TOH Department of Water shall have unrestricted access to the meter and the backflow preventor within the building.
17. All backflow preventors shall be listed in the Public Water Supply Environmental Health records for the State of New York.
18. All appurtenances to be furnished and installed must meet the specified standards and the approval of the TOH Department of Water.

Supplied and Installed by Customer

1. Copper piping Type "K" copper piping shall be made with wrought or forged copper fittings
2. Ball Valves Valves shall be one-quarter turn ball valves conforming to AKKA Standard C-800 latest edition (ASTN B-62) as manufactured by Ford, Hayes, McDonald, Muller and Watts.
3. Strainer A "Y" strainer shall be bronze body with stainless steel removable screen.
4. A Backflow preventor device shall be adequately supported to maintain the specified clearance.

**TYPICAL INSTALLATION FOR A HORIZONTAL
1 1/2"-2" DOUBLE CHECK VALVE DEVICE (DCV)
DCV DEVICES ARE LOCATED WITHIN THE DEWELLING OR A HOT BOX**

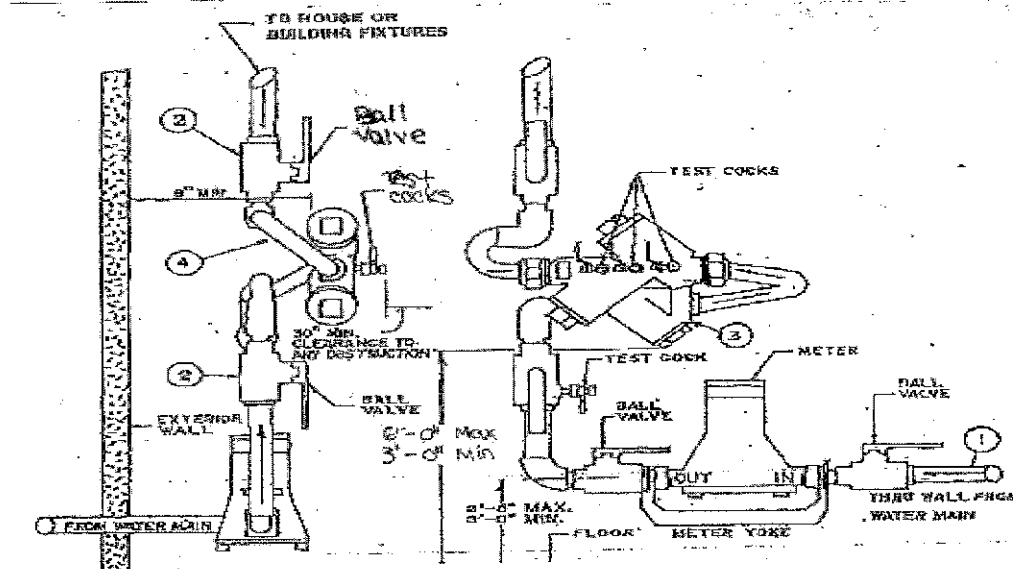
TOWN OF HEMPSTEAD DEPT. OF WATER
NASSAU COUNTY, NEW YORK

DWG.NO 3-87A

General Notes

1. It is a violation to bypass a recognized backflow prevention device.
2. Device shall be protected against flooding or freezing.
3. Test cocks shall not face the wall and be accessible to the tester.
4. Installation of a Double Check Valve (DCV) Assembly shall be as shown.
5. Thermal expansion tank shall be installed on the cold water supply line to the hot water heater.
6. Installation to meet all NCDOH and NYSDOH requirements.
7. Piping to be unbranched and unrestricted from main to device except for the meter.
8. All valves to open counter-clockwise (right handed valves).
9. All installations are to conform to Town of Hempstead (TOH) Department of Water rules and regulations, Plumbing codes and NYSDOH requirements.
10. Layout shown is approximate adjustments can be made to fit field conditions and job requirements upon the Water Districts approval. Minimum clearances must be maintained; order of parts must be maintained.
11. A NYS Health Department Approved Certified Tester shall test all DCV assemblies annually.
12. Test reports must be submitted to both the TOH Department of Water and NC Department of Health
13. Installer to notify TOH Department of Water upon completion of work.

ALL MATERIAL SPECS MUST BE LABELED <0.25% PB or "LF" FOR LEAD FREE



TYPICAL EASY SETTER INSTALLATION FOR A VERTICAL SERVICE
3/4"-2" DOUBLE CHECK VALVE DEVICE (DCV)
LOCATED WITHIN THE DEWELLING
 TOWN OF HEMPSTEAD DEPT. OF WATER
 NASSAU COUNTY NEW YORK

DWG.NO 4-87

General Notes Cont.

14. A licensed plumbing contractor shall perform the installation.
15. No lead solder shall be used for the installation.
16. The TOH Department of Water shall have unrestricted access to the meter and the backflow preventor within the building.
17. All backflow preventors shall be listed in the Public Water Supply Environmental Health records for the State of New York.
18. All appurtenances to be furnished and installed must meet the specified standards and the approval of the TOH Department of Water.

Supplied and Installed by Customer

1. **Copper piping.** Type "K" copper piping shall be made with wrought or forged copper fittings
2. **Ball Valves.** Valves shall be one-quarter turn ball valves conforming to AKKA Standard C-800 latest edition (ASTN B-62) as manufactured by Ford, Hayes, McDonald, Muller and Watts.
3. **Strainer** A "Y" strainer shall be bronze body with stainless steel removable screen.
4. **Easy Setter.** Easy Setter shall be constructed of Type "K" copper piping
5. A Backflow preventor device shall be adequately supported to maintain the specified clearance.
6. Meter yoke assembly will require a compression fitting for the meter

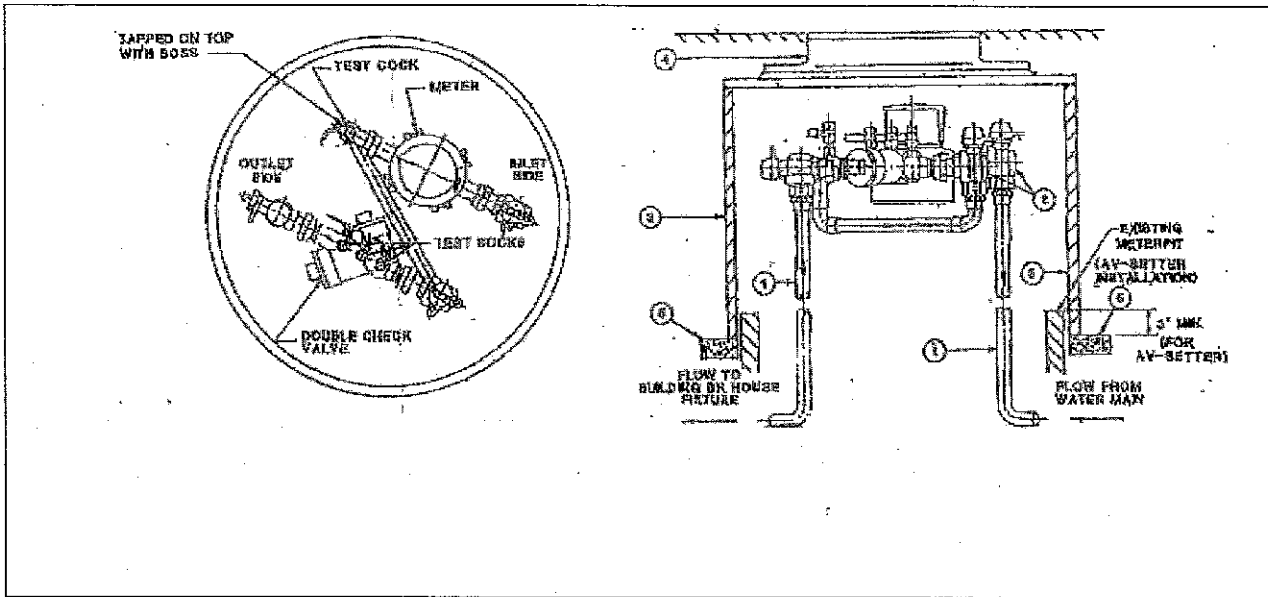


DVRKA & BARTILUCCI
CONSULTING ENGINEERS
UNAUTHORIZED ALTERATION OR ADDITION TO THIS DOCUMENT IS A VIOLATION OF

General Notes

1. It is a violation to bypass a recognized backflow prevention device.
2. Device shall be protected against flooding or freezing
3. Test cocks shall not face the wall and be accessible to the tester.
4. Installation of a Double Check Valve (DCV) Assembly shall be as shown.
5. Thermal expansion tank shall be installed on the cold water supply line to the hot water heater.
6. Installation to meet all NCDOH and NYSDOH requirements.
7. Piping to be unbranched and unrestricted from main to device except for the meter.
8. All valves to open counter-clockwise (right handed valves).
9. All installations are to conform to Town of Hempstead (TOH) Department of Water rules and regulations, Plumbing codes and NYSDOH requirements.
10. Layout shown is approximate adjustments can be made to fit field conditions and job requirements upon the Water Districts approval. Minimum clearances must be maintained; order of parts must be maintained.
11. A NYS Health Department Approved Certified Tester shall test all DCV assemblies annually.
12. Test reports must be submitted to both the TOH Department of Water and NC Department of Health
13. Installer to notify TOH Department of Water upon completion of work.

ALL MATERIAL SPECS MUST BE LABELED <0.25% PB or "LF" FOR LEAD FREE



General Notes Cont.

14. A licensed plumbing contractor shall perform the installation.
15. No lead solder shall be used for the installation.
16. The TOH Department of Water shall have unrestricted access to the meter and the backflow preventor within the building.
17. All backflow preventors shall be listed in the Public Water Supply Environmental Health records for the State of New York.
18. All appurtenances to be furnished and installed must meet the specified standards and the approval of the TOH Department of Water.

Supplied and Installed by Customer

1. Copper piping Type "K" copper piping shall be made with wrought or forged copper fittings
2. Ball Valves Valves shall be one-quarter turn ball valves conforming to AKKA Standard C-800 latest edition (ASTN B-62) as manufactured by Ford, Hayes, McDonald, Muller and Watts.
3. Meter Pit. Size Varies on Mtr. size
4. Extra Heavy Cast Iron Meter Pit Cover with clear 24" opening for a 1/4" to 1" meter. A clear 35" opening for a 1 1/2" to 2" meter. Cover to meet or exceed H-20 traffic load bearing
5. Blocking must be provided to prevent settlement

**ALL NEW ACCOUNTS REQUIRE
A BACKFLOW PREVENTION DEVICE
TYPICAL INSTALLATION FOR
1"-2" DOUBLE CHECK VALVE DEVICE
LOCATED WITHIN A METER PIT
FOR RESIDENTIAL AND COMMERCIAL SERVICES
WITH NO UNDERGROUND LAWN SPRINKLER SYSTEMS
CONNECTED WITHIN THE PIT**

TOWN OF HEMPSTEAD DEPT. OF WATER
NASSAU COUNTY New York

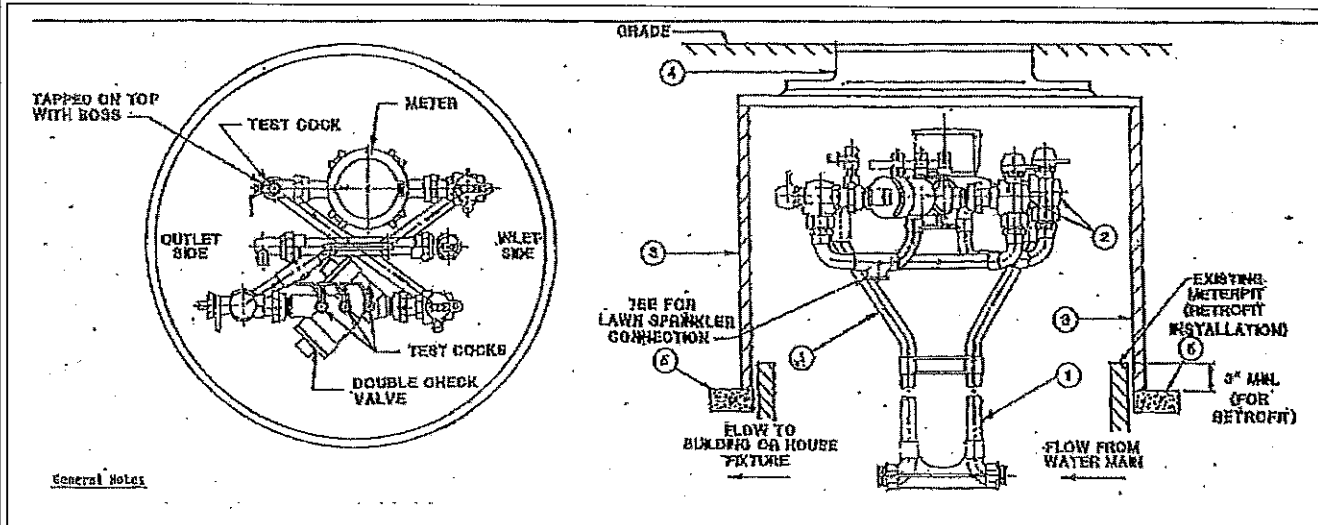
DWG. NO 5-87



General Notes

1. It is a violation to bypass a recognized backflow prevention device.
2. Device shall be protected against flooding or freezing
3. Test cocks shall not face the wall and be accessible to the tester.
4. Installation of a Double Check Valve (DCV) Assembly shall be as shown.
5. Thermal expansion tank shall be installed on the cold water supply line to the hot water heater.
6. Installation to meet all NCDOH and NYSDOH requirements.
7. Piping to be unbranched and unrestricted from main to device except for the meter.
8. All valves to open counter-clockwise (right handed valves).
9. All installations are to conform to Town of Hempstead (TOH) Department of Water rules and regulations, Plumbing codes and NYSDOH requirements.
10. Layout shown is approximate adjustments can be made to fit field conditions and job requirements upon the Water Districts approval. Minimum clearances must be maintained; order of parts must be maintained.
11. A NYS Health Department Approved Certified Tester shall test all DCV assemblies annually.
12. Test reports must be submitted to both the TOH Department of Water and NC Department of Health
13. Installer to notify TOH Department of Water upon completion of work.

ALL MATERIAL SPECS MUST BE LABELED <0.25% PB or "LF" FOR LEAD FREE



General Notes

TYPICAL INSTALLATION
 IN LEVITTOWN WATER DISTRICT
3/4"-2" DOUBLE CHECK VALVE DEVICE
LOCATED WITHIN A METER PIT
FOR RESIDENTIAL SERVICES
WITH UNDERGROUND LAWN SPRINKLER SYSTEMS
 TOWN OF HEMPSTEAD DEPT. OF WATER
 NASSAU COUNTY NEW YORK

General Notes Cont.

14. A licensed plumbing contractor shall perform the installation.
15. No lead solder shall be used for the installation.
16. The TOH Department of Water shall have unrestricted access to the meter and the backflow preventor within the building.
17. All backflow preventors shall be listed in the Public Water Supply Environmental Health records for the State of New York.
18. All appurtenances to be furnished and installed must meet the specified standards and the approval of the TOH Department of Water

Supplied and Installed by Customer

1. Copper piping Type "K" copper piping shall be made with wrought or forged copper fittings
2. Ball Valves Valves shall be one-quarter turn ball valves conforming to AKKA Standard C-800 latest edition (ASTN B-62) as manufactured by Ford, Hayes, McDonald, Muller and Watts.
3. Meter Pit. Size varies based on Mtr
4. Extra Heavy Cast Iron Meter Pit Cover with clear 24" opening for a 3/4" to 1" meter. A clear 35" opening for a 1 1/2" to 2" meter. Cover to meet or exceed H-20 traffic load bearing
5. Blocking must be provided to prevent settlement

DWG.NO 6-87

